

**DTT2Z / HD2AHDG Deck Post Connectors**

**NEW!** The DTT2Z is a safe, cost-effective way to attach deck-railling posts to the deck framing. Because the post is tied back into the deck joists, rather than to the rim joist alone, the connection is stronger than typical through-bolt installations and complies with IRC and IBC code requirements regarding hand-rail and guardrail post connections for decks. The DTT2Z also complies with the new IRC requirements for laterally tying the deck to the house. Additionally, the versatile DTT2Z is load rated as a holddown for light-duty shearwalls and braced wall panel applications. The DTT2Z fastens easily to a single 2x joist or stud using Simpson Strong-Tie® Strong-Drive® screws (SDS) (included) and accepts a 1/2" machine bolt or anchor bolt.

The HD2AHDG holddown has been tested as a lateral anchor for the guardrail post connection. See technical bulletin T-HDAGDRL06 for more information and installation details (see page 191 for details). The HD2AHDG is also load rated as a holddown for light duty shearwalls and braced wall panels.

**MATERIAL:** DTT2Z—14 gauge; HD2AHDG Body—12 gauge, Base—7 gauge  
**FINISH:** DTT2Z—ZMAX coating; HD2AHDG—HDG and may be ordered galvanized; see Corrosion Information, page 10-11.

**INSTALLATION:** Use all specified fasteners. See General Notes.

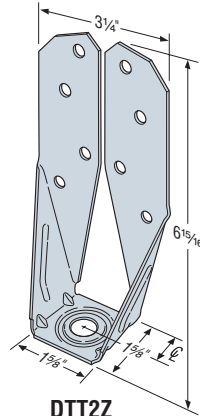
**DTT2Z**

- A standard cut washer (refer to General Notes) must be installed between the nut and the seat.
- Simpson Strong-Tie SDS screws install best with a low speed high torque drill with a 3/8" hex head driver.

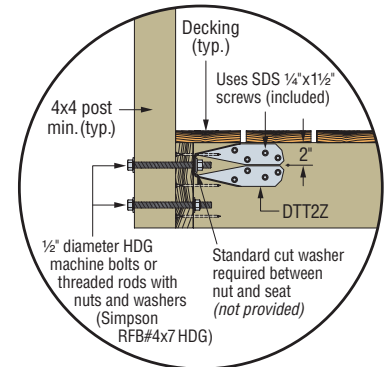
**HD2AHDG**

- Bolt holes shall be a minimum of 1/32" to a maximum of 1/16" larger than the bolt diameter (per NDS, section 11.1.2).
- A washer is not required between the base plate of the holddown and the anchor nut.
- Locate on wood member to maintain a minimum distance of seven bolt diameters, distance is automatically maintained when end of wood member is flush with the bottom of the holddown.
- Bolts should be snugly tightened.

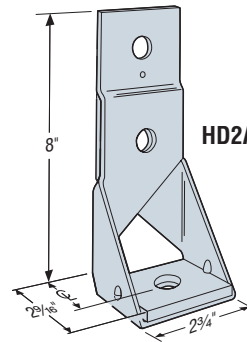
**CODES:** See page 12 for Code Reference Key Chart.



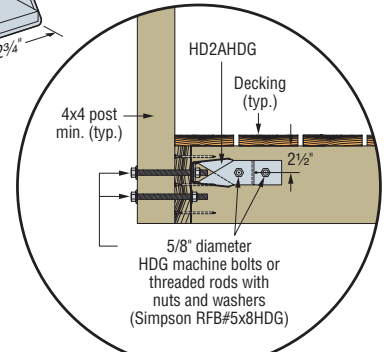
**DTT2Z**  
**Available**  
**Early 2009**



**DTT2Z installed**  
**as a lateral connector**  
**for a deck guardrail post.**



**HD2AHDG**



**HD2AHDG installed**  
**as a lateral connector**  
**for a deck guardrail post.**

These products are available with additional corrosion protection. Additional products on this page may also be available with this option, check with Simpson Strong-Tie for details.

Model No.	C	Anchor Diameter	Fasteners	Minimum Wood Member Thickness	Allowable Tension Load				Code Ref.
					DF/SP	SPF/HF	(100)	(160) <sup>1</sup>	
DTT2Z	1 3/16	1/2	8-SDS 1/4"x1 1/2"	1 1/2	1825	1825	1440	1800	170
				3	2000	2145	1440	1835	
HD2AHDG	1 3/8	5/8	2-5/8"	1 1/2	1220	1900	1040	1610	1L8, L9
				3	2175	2455	1990	2245	

1. The allowable loads have been increased 60% for wind or earthquake loading with no further increase allowed.
2. Installations shown are for post to joist connections, however these products can be used as a holdown or tension tie for other applications.
3. Load values are valid if the product is flush with the end of the framing member or installed away from the end.

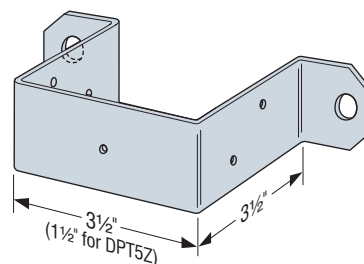
**DPTZ Deck Post Tie**

The DPTZ Deck Post Tie products are used to attach 2x4 (DPT5Z) or 4x4 (DPT7Z) vertical posts to the side of stringers, rims or other wood members.

**MATERIAL:** 14 gauge  
**FINISH:** ZMAX® coating; see Corrosion Information, page 10-11.

**INSTALLATION:**

- Use specified HDG fasteners. See General Notes.
- Install in pairs at a recommended minimum center to center spacing of 5'.
- Install with two 3/8" through bolts into side member and 5-10d x 1 1/2" to post for DPT5Z or 5-10d for DPT7Z.



**DPT7Z**  
*(DPT5Z similar)*

**Typical DPT7Z**  
**Stairway Installation**  
*(DPT5Z similar)*

