

E-Z Base™/E-Z Mender™/E-Z Spike™ Fence Products

Replacing an entire fence can be an expensive and difficult task. Simpson Strong-Tie® offers a line of products designed to help make reinforcing fence posts easy and economical. The E-Z Base, E-Z Mender and E-Z Spike offer simple solutions for all types of fence post projects.

E-Z Spike (Model No. FPBS44)

- Allows easy installation of 4x4 wood posts without digging holes or pouring concrete.
- Can be used for a variety of applications where quick-to-install posts are needed.

E-Z Mender (Model No. FPBM44)

- Allows easy repair of rotted or damaged 4x4 wood posts installed in concrete or dirt.
- Reinforces weakened wood posts without having to replace the post or the concrete.

E-Z Base (Model No. FPBB44)

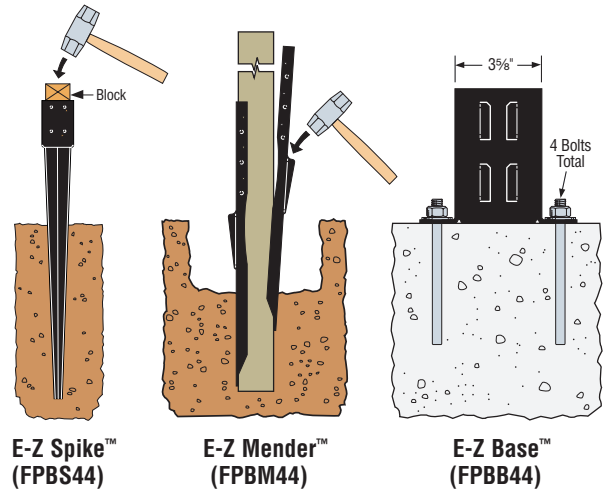
- Allows easy installation of 4x4 wood posts on existing concrete.

MATERIAL: 12 gauge **FINISH:** Black powder-coat

INSTALLATION: • See flier F-EZFPP (see page 191 for details).

- Attach post to E-Z Spike or E-Z Base with 8-1/4" SDS screws or 1/4" HDG lag screws and attach post to E-Z Mender using 6 HDG nails or screws per part.

NOTE: • Notwithstanding the terms of the Limited Warranty, Simpson Strong-Tie does not guarantee, represent or warrant that this product will perform under, or prevent or reduce damage caused by corrosion, any seismic, wind, atmospheric, or other load-producing event.



FB/FBR Fence Brackets

FB and FBR fence brackets make the connection between fence rails and posts simple and strong. Eliminates the need for toe nailing or screwing. Clean, versatile connections make planning and building fences, deck/porch railings and louvers easier and faster.

MATERIAL: See table

FINISH: Galvanized. Some products available in ZMAX® coating; see Corrosion Information, page 10-11.

INSTALLATION: • Holes are sized for 8dx1 1/2", 8d commons or #6 wood screws into the supporting member.

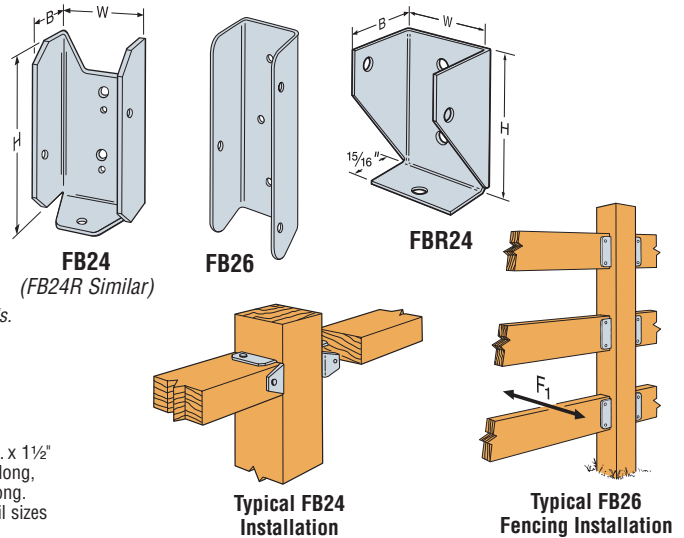
- FB24R is sized for 10dx1 1/2".
- FB26 is sized for #14x3/4" lag screws.

CODES: See page 12 for Code Reference Key Chart.

These products are available with additional corrosion protection. Additional products on this page may also be available with this option, check with Simpson Strong-Tie for details.

Model No.	Ga	Member Size	Dimensions			Code Ref.
			W	H	B	
FBL24		Deleted see FB24				180
FB24	20	2x4	1 1/16"	3 3/8"	3/4"	
FB24R	20	2x4 RGH	2"	3 3/8"	3/4"	
FBR24	18	2x4	1 1/16"	2 7/16"	1 1/2"	
FB26	18	2x6	1 1/16"	5"	1 1/2"	

1. FB26 has an allowable load for F₁ of 365 lbs.
2. FBR24: R = rail (not rough).
3. **NAILS:** 10dx1 1/2" = 0.148" dia. x 1 1/2" long, 8d = 0.131" dia. x 2 1/2" long, 8dx1 1/2" = 0.131" dia. x 1 1/2" long. See page 16-17 for other nail sizes and information.



FC Framing Clips

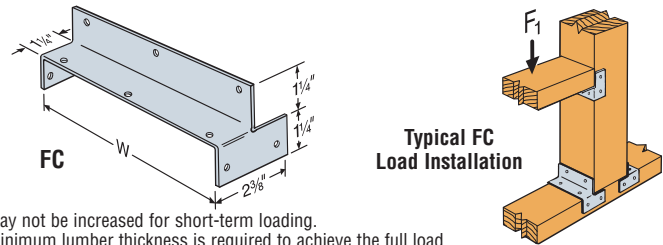
For fast, accurate framing. Three-dimensional nailing pattern results in high-strength joint values. Ideal for fence construction.

MATERIAL: 16 gauge **FINISH:** Galvanized

INSTALLATION: Use all specified fasteners. See General Notes.

CODES: See page 12 for Code Reference Key Chart.

Model No.	W	Fasteners	Allowable F ₁ Loads (100)	Code Ref.
FC4	3 3/16"	8-16d	800	I14,
FC6	5 1/2"	10-16d	920	L4, F13



1. Loads may not be increased for short-term loading.
2. A 2 1/2" minimum lumber thickness is required to achieve the full load.
3. **NAILS:** 16d = 0.162" dia. x 3 1/2" long. See page 16-17 for other nail sizes and information.

BT Brick Ties

Brick Ties provide a connection between the wood structure and brick façade.

MATERIAL: 22 gauge

FINISH: Galvanized, available in Type 304 stainless steel (order as BTBSS).

INSTALLATION:

- Holes sized for 10d commons. See code for spacing requirements.

CODES: IRC 2003/2006, R703.7.4

TO ORDER: BT-R100 = retail pack of 100
BTB = bulk carton of 500

