

TWO STOREY SYSTEMS

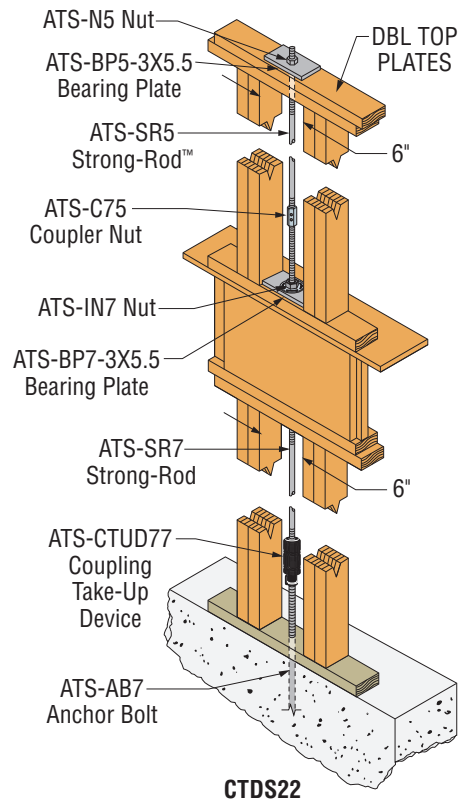
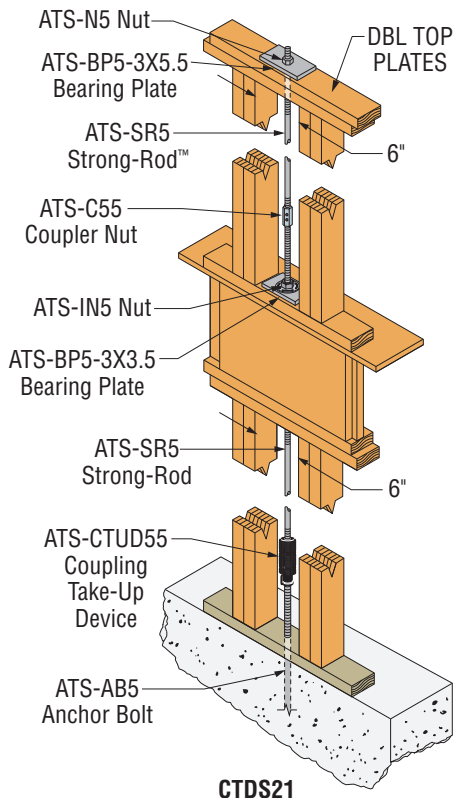
ATS System			CTDS21		CTDS22	
2nd floor	Plates/Studs		D.Fir-L	S-P-F	D.Fir-L	S-P-F
	Factored Tensile Resistance, T_r	kN	40.47	40.47	42.45	42.45
		lbs	9085	9085	9530	9530
	8' Posts	2x4 framing	(1) - 2x4 each side	(2) - 2x4 each side	(2) - 2x4 each side	(2) - 2x4 each side
		2x6 framing	(1) - 2x6 each side	(1) - 2x6 each side	(1) - 2x6 each side	(1) - 2x6 each side
	Incremental Bearing Resistance	kN	40.47	39.22	70.13	59.53
lbs		9085	8805	15745	13365	
1st floor	Factored Tensile Resistance, T_r	kN	40.47	40.47	82.72	82.72
		lbs	9085	9085	18570	18570
	8' Posts	2x4 framing	(1) - 2x4 each side	(2) - 2x4 each side	(2) - 2x4 each side	(3) - 2x4 each side
		2x6 framing	(1) - 2x6 each side	(1) - 2x6 each side	(1) - 2x6 each side	(2) - 2x6 each side

See footnotes below.

ATS System			CTDS23B		CTDS24B	
2nd floor	Plates/Studs		D.Fir-L	S-P-F	D.Fir-L	S-P-F
	Factored Tensile Resistance, T_r	kN	85.79	85.79	163.23	123.52
		lbs	19260	19260	36645	27730
	8' Posts	2x4 framing	(3) - 2x4 each side	(3) - 2x4 each side	(4) - 2x4 each side	(4) - 2x4 each side
		2x6 framing	(1) - 2x6 each side	(2) - 2x6 each side	(2) - 2x6 each side	(2) - 2x6 each side
	Incremental Bearing Resistance	kN	76.15	57.64	70.13	59.53
lbs		17095	12940	15745	13365	
1st floor	Factored Tensile Resistance, T_r	kN	136.64	136.64	165.46	165.46
		lbs	30675	30675	37145	37145
	8' Posts	2x4 framing	(4) - 2x4 each side	(4) - 2x4 each side	(4) - 2x4 each side	(5) - 2x4 each side
		2x6 framing	(2) - 2x6 each side	(3) - 2x6 each side	(2) - 2x6 each side	(3) - 2x6 each side

1. Unless specifically requested, anchor bolts are not included in the system runs.
2. Post design is based on the tension capacity of the system. The Designer is responsible for verifying that posts are capable of resisting all required load combinations.

TWO STOREY SYSTEMS



Anchorage to concrete and foundation design by Designer.

