

FOUR STOREY SYSTEMS

ATS System			CTDS41		CTDS42C	
4th floor	Plates/Studs		D.Fir-L	S-P-F	D.Fir-L	S-P-F
	Factored Tensile Resistance, T_r	kN	40.47	40.47	42.45	42.45
		lbs	9085	9085	9530	9530
	8' Posts	2x4 framing	(1) - 2x4 each side	(2) - 2x4 each side	(2) - 2x4 each side	(2) - 2x4 each side
		2x6 framing	(1) - 2x6 each side	(1) - 2x6 each side	(1) - 2x6 each side	(1) - 2x6 each side
	Incremental Bearing Resistance	kN	40.47	39.22	42.45	39.22
lbs		9085	8805	9530	8805	
3rd floor	Factored Tensile Resistance, T_r	kN	40.47	40.47	42.45	42.45
		lbs	9085	9085	9530	9530
	8' Posts	2x4 framing	(1) - 2x4 each side	(2) - 2x4 each side	(2) - 2x4 each side	(2) - 2x4 each side
		2x6 framing	(1) - 2x6 each side	(1) - 2x6 each side	(1) - 2x6 each side	(1) - 2x6 each side
	Incremental Bearing Resistance	kN	40.47	39.22	70.13	59.53
		lbs	9085	8805	15745	13365
2nd floor	Factored Tensile Resistance, T_r	kN	40.47	40.47	82.72	82.72
		lbs	9085	9085	18570	18570
	8' Posts	2x4 framing	(1) - 2x4 each side	(2) - 2x4 each side	(2) - 2x4 each side	(3) - 2x4 each side
		2x6 framing	(1) - 2x6 each side	(1) - 2x6 each side	(1) - 2x6 each side	(2) - 2x6 each side
	Incremental Bearing Resistance	kN	40.47	39.22	70.13	59.53
		lbs	9085	8805	15745	13365
1st floor	Factored Tensile Resistance, T_r	kN	40.47	40.47	82.72	82.72
		lbs	9085	9085	18570	18570
	8' Posts	2x4 framing	(1) - 2x4 each side	(2) - 2x4 each side	(2) - 2x4 each side	(3) - 2x4 each side
		2x6 framing	(1) - 2x6 each side	(1) - 2x6 each side	(1) - 2x6 each side	(2) - 2x6 each side

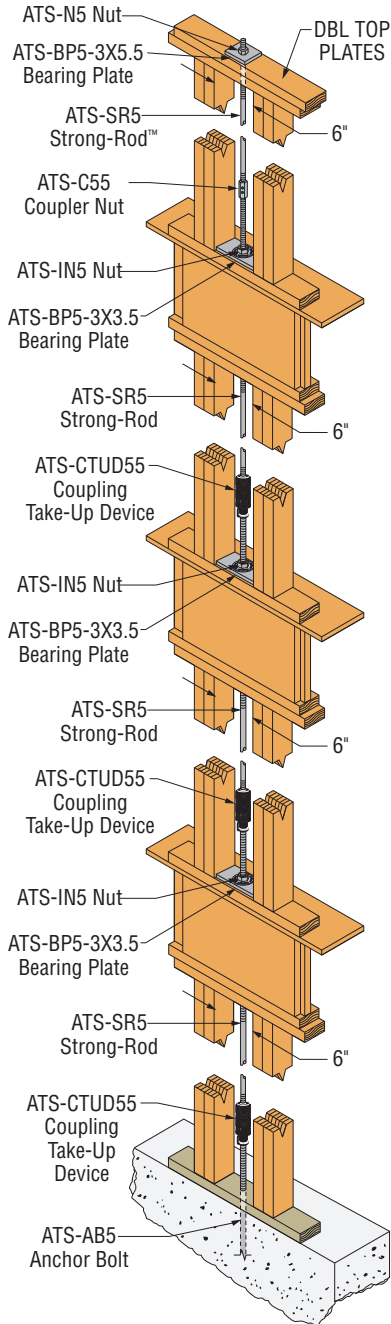
See footnotes below.

ATS System			CTDS43		CTDS44	
4th floor	Plates/Studs		D.Fir-L	S-P-F	D.Fir-L	S-P-F
	Factored Tensile Resistance, T_r	kN	42.45	42.45	42.45	42.45
		lbs	9530	9530	9530	9530
	8' Posts	2x4 framing	(2) - 2x4 each side	(2) - 2x4 each side	(2) - 2x4 each side	(2) - 2x4 each side
		2x6 framing	(1) - 2x6 each side	(1) - 2x6 each side	(1) - 2x6 each side	(1) - 2x6 each side
	Incremental Bearing Resistance	kN	42.45	39.22	70.13	59.53
lbs		9530	8805	15745	13365	
3rd floor	Factored Tensile Resistance, T_r	kN	42.45	42.45	85.79	85.79
		lbs	9530	9530	19260	19260
	8' Posts	2x4 framing	(2) - 2x4 each side	(2) - 2x4 each side	(3) - 2x4 each side	(3) - 2x4 each side
		2x6 framing	(1) - 2x6 each side	(1) - 2x6 each side	(1) - 2x6 each side	(2) - 2x6 each side
	Incremental Bearing Resistance	kN	70.13	59.53	70.13	59.53
		lbs	15745	13365	15745	13365
2nd floor	Factored Tensile Resistance, T_r	kN	85.79	85.79	155.92	145.32
		lbs	19260	19260	35005	32625
	8' Posts	2x4 framing	(3) - 2x4 each side	(3) - 2x4 each side	(4) - 2x4 each side	(4) - 2x4 each side
		2x6 framing	(1) - 2x6 each side	(2) - 2x6 each side	(2) - 2x6 each side	(3) - 2x6 each side
	Incremental Bearing Resistance	kN	76.15	57.64	70.13	59.53
		lbs	17095	12940	15745	13365
1st floor	Factored Tensile Resistance, T_r	kN	136.64	136.64	165.46	165.46
		lbs	30675	30675	37145	37145
	8' Posts	2x4 framing	(4) - 2x4 each side	(4) - 2x4 each side	(4) - 2x4 each side	(5) - 2x4 each side
		2x6 framing	(2) - 2x6 each side	(3) - 2x6 each side	(2) - 2x6 each side	(3) - 2x6 each side

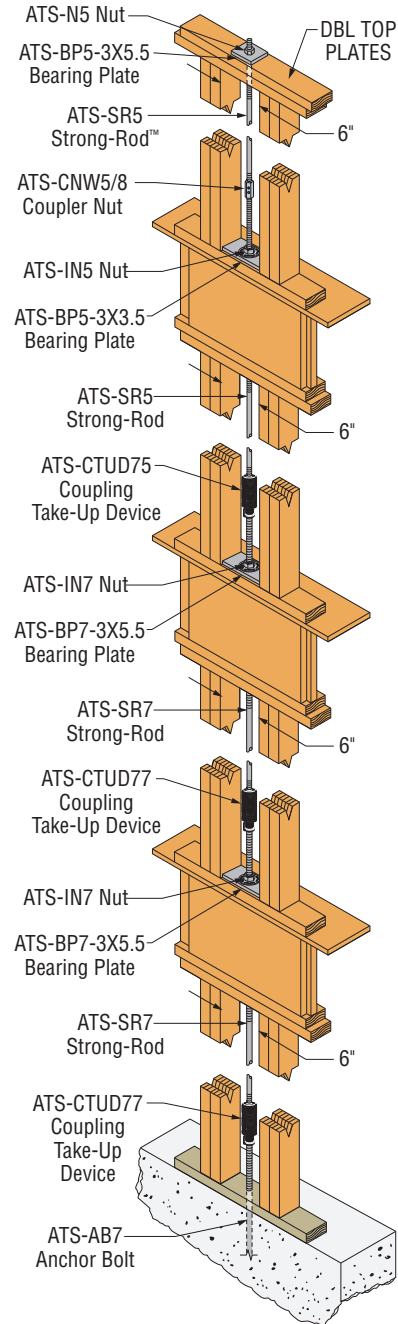
1. Unless specifically requested, anchor bolts are not included in the system runs.

2. Post design is based on the tension capacity of the system. The Designer is responsible for verifying that posts are capable of resisting all required load combinations.

FOUR STOREY SYSTEMS



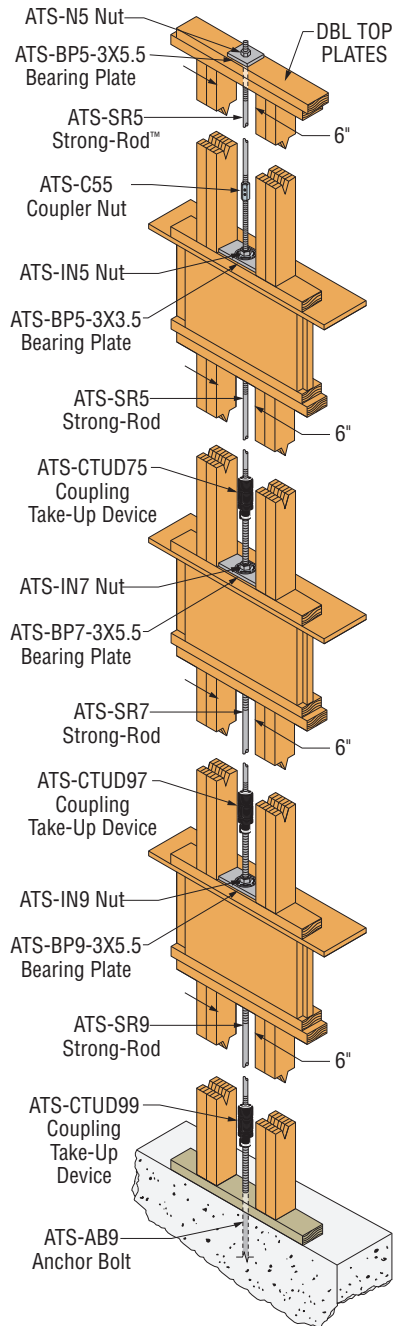
CTDS41



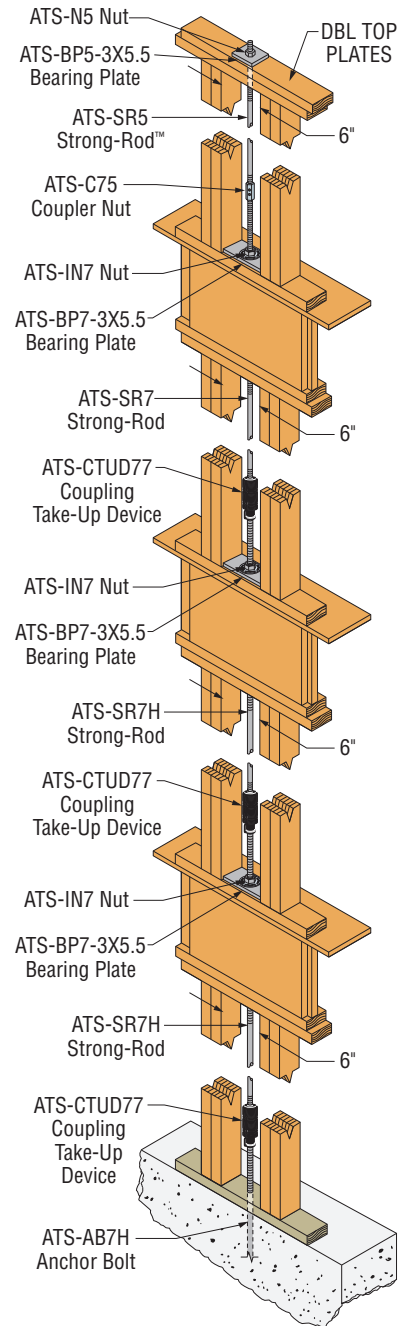
CTDS42C

Anchorage to concrete and foundation design by Designer.

FOUR STOREY SYSTEMS



CTDS43



CTDS44

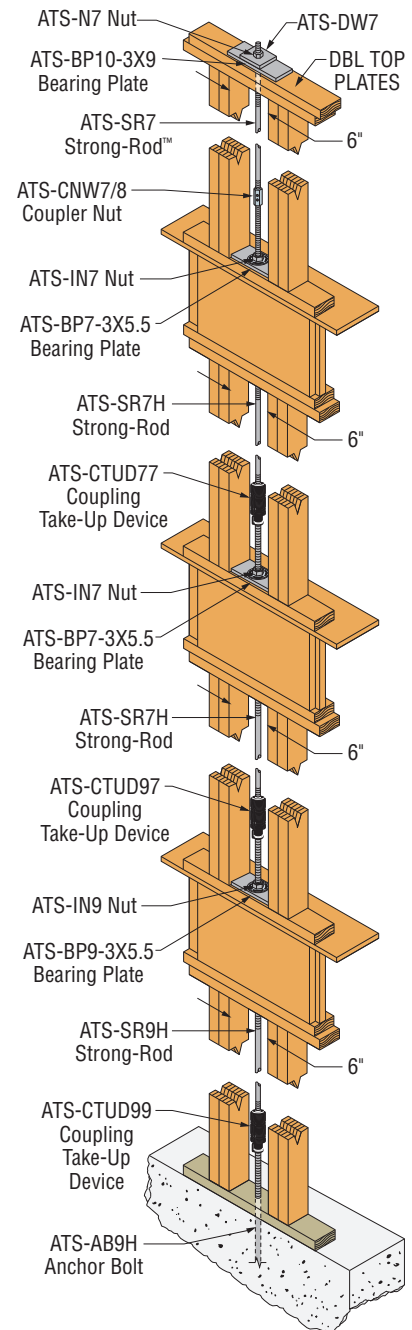
Anchorage to concrete and foundation design by Designer.

FOUR STOREY SYSTEMS

ATS System		CTDS45B		
4th floor	Plates/Studs		D.Fir-L	S-P-F
	Factored Tensile Resistance, T_r	kN	85.79	85.79
		lbs	19260	19260
	8' Posts	2x4 framing	(3) - 2x4 each side	(3) - 2x4 each side
		2x6 framing	(1) - 2x6 each side	(2) - 2x6 each side
	Incremental Bearing Resistance	kN	70.13	59.53
lbs		15745	13365	
3rd floor	Factored Tensile Resistance, T_r	kN	155.92	145.32
		lbs	35005	32625
	8' Posts	2x4 framing	(4) - 2x4 each side	(4) - 2x4 each side
		2x6 framing	(2) - 2x6 each side	(3) - 2x6 each side
	Incremental Bearing Resistance	kN	70.13	59.53
		lbs	15745	13365
2nd floor	Factored Tensile Resistance, T_r	kN	183.54	183.54
		lbs	41205	41205
	8' Posts	2x4 framing	(5) - 2x4 each side	(5) - 2x4 each side
		2x6 framing	(3) - 2x6 each side	(4) - 2x6 each side
	Incremental Bearing Resistance	kN	76.15	57.64
		lbs	17095	12940
1st floor	Factored Tensile Resistance, T_r	kN	259.69	241.18
		lbs	58300	54145
	8' Posts	2x4 framing	—	—
		2x6 framing	(4) - 2x6 each side	(5) - 2x6 each side

1. Unless specifically requested, anchor bolts are not included in the system runs.

2. Post design is based on the tension capacity of the system. The Designer is responsible for verifying that posts are capable of resisting all required load combinations.



CTDS45B

Anchorage to concrete and foundation design by Designer.