



# Make Your Project Easy, Safe and Strong with Simpson Strong-Tie® Utility Connectors

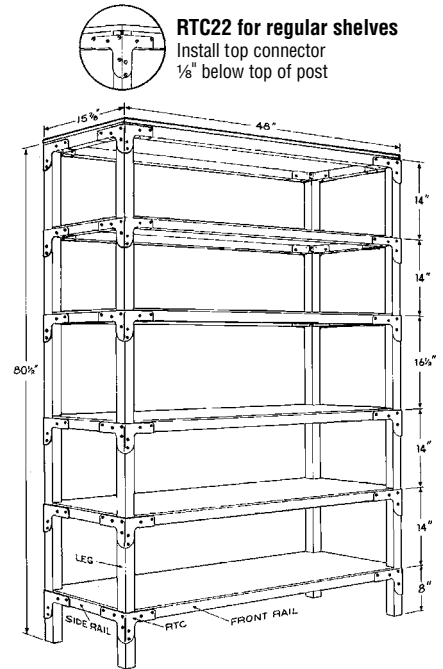
**SHELVES:** These easy to build shelves will get you organized. The sizes shown are standard but can be customized to meet your needs. They can be easily finished with paint to match the decor of your home. These shelves are ideal for the garage, basement, office or playroom. For heavy-duty requirements, use the 2x4 materials for either the 4' or 8' long versions. Notch the corners of the intermediate shelves to allow the legs to pass through.

## 1 REGULAR SHELVES – with 2x2 Lumber, 4 Foot Unit, 6 Shelves\*

Material List:	Size	Materials	Length	Quantity
	2x2	Lumber	8'	12 each
	1/4"	Plywood	4'x8'	1 sheet
	Simpson RTC22	Connector	—	24
	Simpson SD8x1.25	Screw	—	3 packs
	1"	Finishing Nails	—	72
	1"	Glides for Legs	—	4

Cut List:	Description	Quantity	Size	Cut Length
	Front Rails	6	2x2	45"
	Rear Rails	6	2x2	45"
	Side Rails	12	2x2	127/8"
	Legs	4	2x2	80 1/2"
	Shelves	6	1/4" Plywood	48" x 15 7/8"

\* Use 1" nails to attach shelves to rails.

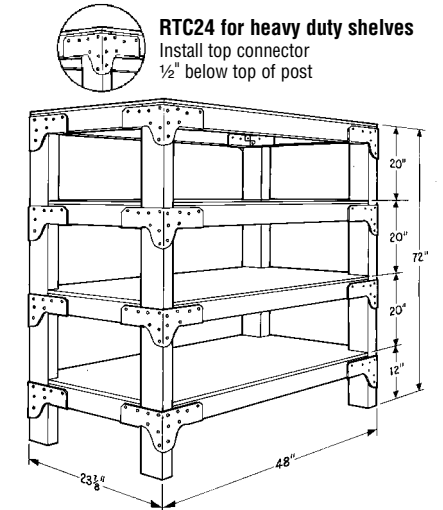


## 2 HEAVY DUTY SHELVES – with 2x4 Lumber, 4 Foot Unit, 4 Shelves\*\*

Material List:	Size	Materials	Length	Quantity	
				4' Shelf	8' Shelf
	2x4	Lumber	8'	9 each	13 each
	1/2"	Plywood	4'x8'	1 sheet	2 sheets
	Simpson RTC24	Connector	—	16	16
	Simpson SD8x1.25	Screw	—	4 packs	4 packs

Cut List:	Description	Quantity	Size	Cut Length	
				4' Shelf	8' Shelf
	Rails	8	2x4	45"	93"
	Side Rails	8	2x4	16 3/4"	17"
	Legs	4	2x4	71 1/2"	71 1/2"
	Shelves	4	1/2" Plywood	48" x 23 7/8"	96" x 23 7/8"

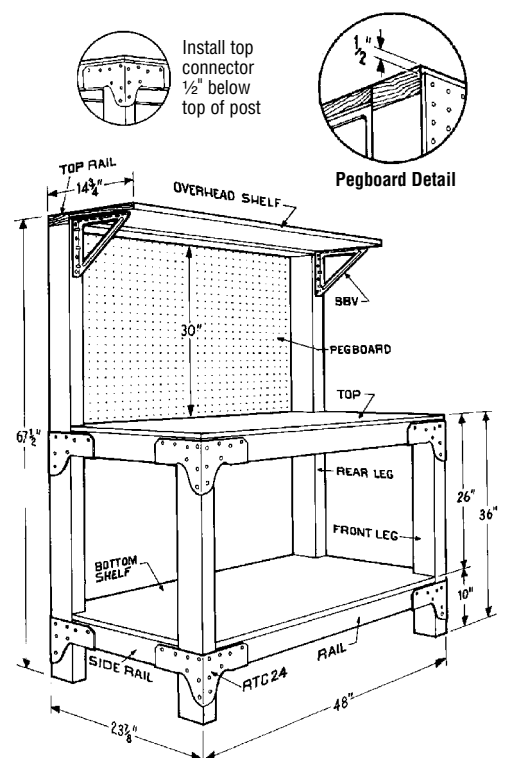
\*\*Bottom shelf should be 7 1/8" above floor. Allow 21 1/8" height between shelves.



## 3 WORKBENCH WITH SHELVES: Designed for heavy duty everyday use, this workbench is ideal for the garage or basement. The durable bench provides a neat, organized area for project development. Shelves and a pegboard back give you a place to store your tools.

Material List:	Size	Materials	Length	Quantity
	2x4	Lumber	8'	6 each
	1x12	Lumber	4'	1 each
	3/4"	Plywood	4'x8'	1/2 sheet
	1/4"	Pegboard	32" x 48"	1 sheet
	Simpson RTC24	Connector	—	8
	Simpson SBV	Shelf Bracket	—	2
	Simpson SD8x1.25	Screw	—	2 packs
	#8 x 5/8"	Panhead Screw	—	6

Cut List:	Description	Quantity	Size	Cut Length
				4' Shelf
	Back Legs	2	2x4	66"
	Front Legs	2	2x4	35 1/4"
	Rails	4	2x4	45"
	Side Rails	4	2x4	17"
	Plywood Top & Bottom Shelf	2	3/4" Plywood	23 7/8" x 48"
	Overhead Shelf	1	1" x 12"	48"
	Top Rail	1	2x4	48"
	Pegboard	1	1/4"	32" x 48"



### INSTALLATION TIPS

1. The back corners of the top shelf and all bottom shelf corners must be notched to allow 2x4 legs to pass through.
2. Use panhead screws to attach overhead shelf to bracket.
3. If storing extra-heavy items or building a longer bench, use RTF connectors with 5/4" center legs for extra support in bench center.



# Make Your Project Easy, Safe and Strong with Simpson Strong-Tie® Utility Connectors

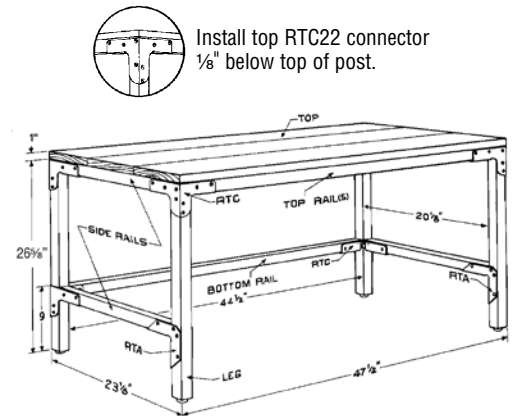
**TABLES – REGULAR AND HEAVY DUTY:** These extremely useful tables are strong and easy to build. They are ideal as a work, hobby, study or computer table for any room in the house. When attaching the table top, countersink the 2" screws and fill the holes with wood filler for a smoother surface. The regular duty table requires the RTC22 corner connector, and the heavy duty table requires the RTC24 corner connector.

**Note:** For the heavy duty table with a shelf, all corners must be notched to allow the 2x4 legs to pass through.

## 4 REGULAR TABLE

Material List:	Size	Materials	Length	Quantity
	2x2	Lumber	8'	4 each
	1"	Smooth Plywood	48"x24" or Glulam Lumber	1 sheet
	Simpson RTC22	Connector	—	6
	Simpson RTA12	Connector	—	4
	Simpson SD8x1.25	Screw	—	1 pack
	2"	#8 Deck Screw	—	16
	1"	Glides for Table Legs	—	4

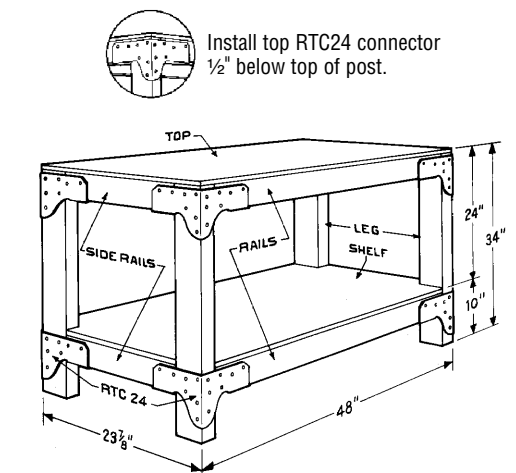
Cut List:	Description	Quantity	Size	Cut Length
	Top Rails	2	2x2	44½"
	Bottom Rails	1	2x2	44½"
	Side Rails	4	2x2	20⅞"
	Legs	4	2x2	26⅝"
	Table Top	1	¼" Glulam or Smooth Plywood	47½"x23⅞"



## 5 HEAVY DUTY TABLE

Material List:	Size	Materials	Length	Quantity
	2x4	Lumber	8'	4 each
	¾"	Plywood	4'x8'	½ sheet
	Simpson RTC24	Connector	—	8
	Simpson SD8x1.25	Screw	—	2 packs

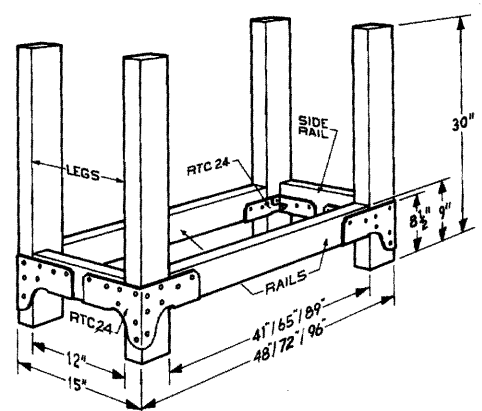
Cut List:	Description	Quantity	Size	Cut Length
	Legs	4	2x4	33¼"
	Rails	4	2x4	45"
	Side Rails	4	2x4	16¾"
	Plywood Top & Bottom Shelf	2	¾"	23⅞"x48"



**6 LOGHOLDER:** This easy-to-build logholder will help keep your firewood dry, accessible and neat-looking year round. The strong Rigid Tie Corner connectors allow the holder to be stacked full, even with the heaviest wood. This project can be customized to meet your space and firewood needs. The 4' version holds approximately ¼ cord of firewood.

Material List:	Size	Materials	Length	Quantity		
				4' Holder	6' Holder	8' Holder
	2x4	Lumber	8'	3 each	3 each	4 each
	Simpson RTC24	Connector	—	4	4	4
	Simpson SD8x1.25	Screw	—	1 pack	1 pack	1 pack
	Simpson RTF	Connector	—	—	—	2***

Cut List:	Description	Quantity	Size	Cut Length		
				4' Holder	6' Holder	8' Holder
	Legs	4	2x4	30"	30"	30"
	Rails	2	2x4	41"	65"	89"
	Side Rails	2	2x4	12"	12"	12"
	Center Legs	2	2x4	—	—	5½"***



**\*\*\* INSTALLATION TIPS**  
 1. On 8' holder, place RTF in the middle of the front and back rails.  
 2. Center leg extends below.

*This bulletin is effective until January 31, 2013, and reflects information available as of July 1, 2008. This information is updated periodically and should not be relied upon after January 31, 2013; contact Simpson Strong-Tie for current information and limited warranty or see [www.strongtie.com](http://www.strongtie.com).*

**Home Office**  
 5956 W. Las Positas Blvd.  
 Pleasanton, CA 94588  
 FAX: 925/847-1603

**Southwest U.S.A.**  
 260 N. Palm Street  
 Brea, CA 92821  
 FAX: 714/871-9167

**Southeast U.S.A.**  
 2221 Country Lane  
 McKinney, TX 75069  
 FAX: 972/542-5379

**Western Canada**  
 11476 Kingston St.  
 Maple Ridge, BC V2X 0Y5  
 FAX: 604/465-0297

**Northwest U.S.A.**  
 5151 S. Airport Way  
 Stockton, CA 95206  
 FAX: 209/234-3868

**Northeast U.S.A.**  
 2600 International Street  
 Columbus, OH 43228  
 FAX: 614/876-0636

**Eastern Canada**  
 5 Kenview Blvd.  
 Brampton, ON L6T 5G5  
 FAX: 905/458-7274

**Warehouses & Manufacturing:**  
 Eagan, MN; Enfield, CT; Gallatin, TN;  
 High Point, NC; Jacksonville, FL; Jessup, MD;  
 Kent, WA; Langley, BC; Ontario, CA

**800-999-5099**  
[www.strongtie.com](http://www.strongtie.com)

© 2008 Simpson Strong-Tie Company Inc.  
 Printed in the U.S.A.

DIY-PROJECT08 7/08 exp. 1/13