

NEW!

RUZ/NRUZ Retrofit U Hangers for Panelized Roof Construction

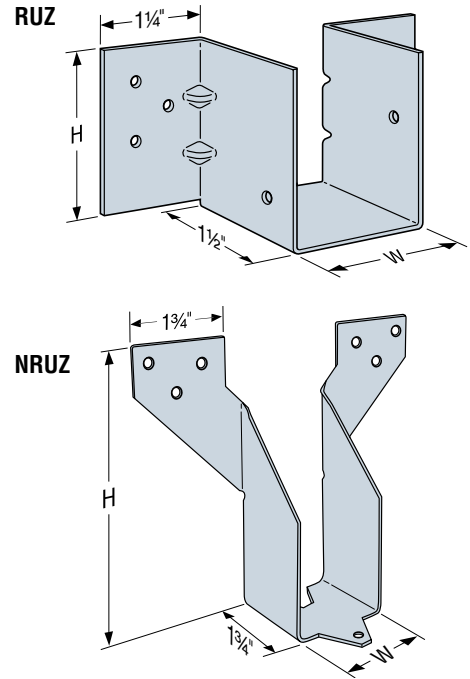


The Simpson Strong-Tie® line of retrofit U hangers for panelized roofs now includes the NRUZ, a retrofit hanger option for nailers on steel trusses. The original RUZ for glulam purlins and the new NRUZ are specifically designed for installation around existing Simpson Strong-Tie panelized roof hangers. In some cases, existing panelized roof hangers may need replacement due to excessive gapping, damage incurred during field erection or corrosion from roof leaks or condensation. Both the RUZ and the NRUZ allow you to quickly and effectively match the capacity of these hangers without having to remove the original connectors or disassemble the roof. When installed with a $\frac{1}{8}$ " gap between the original hanger and the purlin, both the RUZ and the NRUZ provide equal or greater capacity than Simpson's F, HF and HFN series hangers. See table on reverse side for data on gaps greater than $\frac{1}{8}$ ".

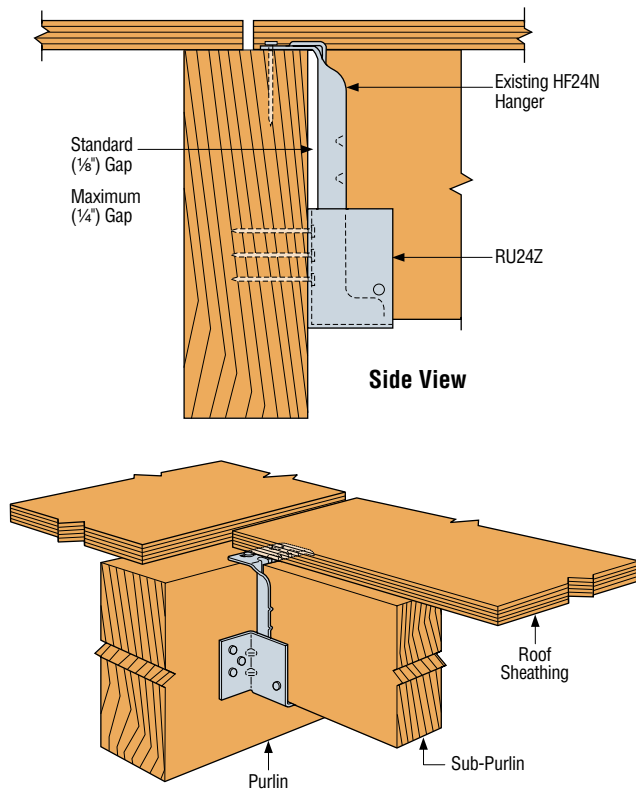
Note: If retrofitting corroded hangers, the cause of moisture intrusion into the roof system must be determined and resolved before the hangers are installed.

MATERIAL: 16 gauge **FINISH:** G185 ZMAX®

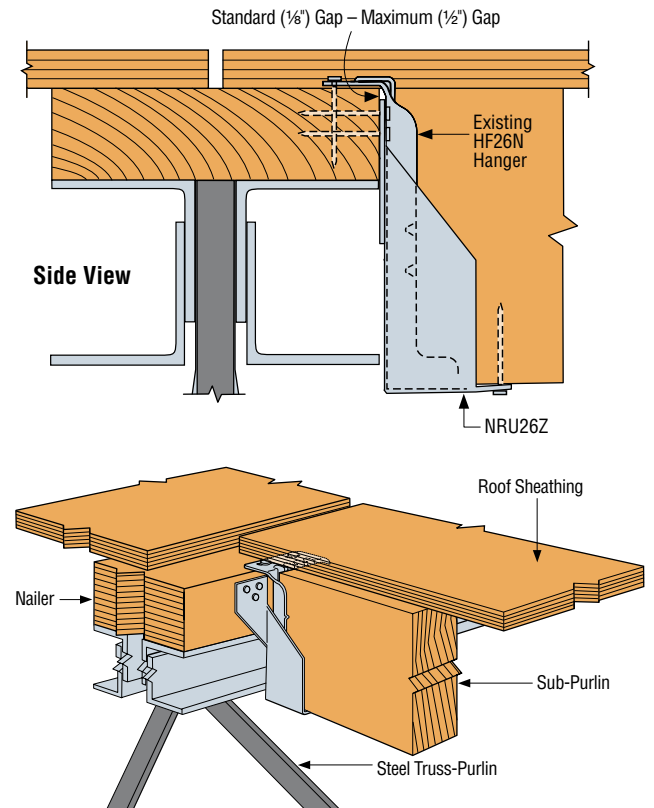
INSTALLATION: Tightly install RUZ and NRUZ hangers around existing panelized roof hangers. Install fasteners as referenced in tables on reverse side. Use all specified fasteners. Refer to the current *Wood Construction Connectors* catalog for General Notes and Warranty Information.

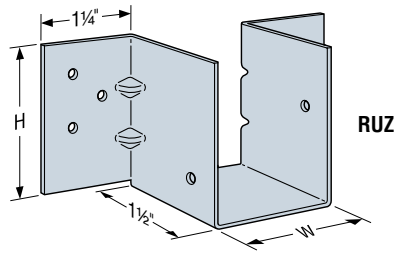


Typical RU24Z Hanger Installation over an existing HF24N Hanger



Typical NRU26Z Hanger Installation over an existing HF26N Hanger





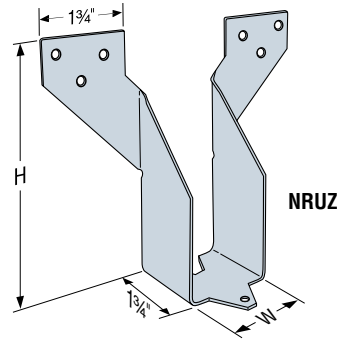
RUZ Series Technical Information

Model No.	Joist Size	W (in)	H (in)	Header Fasteners	Joist Fasteners	Allowable Roof Uplift Load (lbs) with 1/8" Gap (133/160) ³	Allowable Roof Load (lbs) with 1/8" Gap (125)	Allowable Roof Load (lbs) with 1/4" Gap (125)
RU24Z	2x4	1 3/16	2 1/4	6-10dx2 1/8	2-10dx1 1/2	200	690	690
	2x6			6-10dx2 1/8	2-10dx1 1/2	200	690	690
RU34Z	3x4	2 7/8	2 1/4	6-10dx2 1/8	2-10dx1 1/2	200	690	690
	3x6			6-10dx2 1/8	2-10dx1 1/2	200	690	690
RU24-2Z	2-2x4	3 1/2	2 1/4	6-10dx2 1/8	2-10dx1 1/2	200	890	855
	2-2x6			6-10dx2 1/8	2-10dx1 1/2	200	890	855
RU44Z	4x4	3 13/16	2 1/4	6-10dx2 1/8	2-10dx1 1/2	200	890	855
	4x6			6-10dx2 1/8	2-10dx1 1/2	200	890	855

Existing Panelized Hanger Loads (for comparison)

Existing Hanger	Allowable Roof Load (lbs) for Existing Hanger with 1/8" Gap (125)
HF24N	580
HF26N	635
HF34N	690
HF36N	725
F24-2	735
F26-2	800
F44	880
F46	785

- All RU series hangers require a minimum 3x6 or double 2x6 purlin of Douglas Fir Larch or Southern Pine Lumber.
- 10dx2 1/8" nails are 0.148" dia. x 2 1/8" long. 10d common nails (0.148" dia. x 3" long) are also acceptable as header fasteners. 10dx1 1/2" nails are 0.148" dia. x 1 1/2" long.
- Uplift has been increased 33% and 60% for earthquake or wind loading with no further increase allowed; reduce where other loads govern.



NRUZ Series Technical Information

Model No.	Joist Size	Product Dimensions		Fastener Schedule		Allowable Roof Load (lbs) (125)								
		W (in)	H (in)	Face	Seat	Nailer Material ¹								
						LVL			DF/SP			HF/SPF		
						1/8" Gap	1/4" Gap	1/2" Gap	1/8" Gap	1/4" Gap	1/2" Gap	1/8" Gap	1/4" Gap	1/2" Gap
NRU24Z	2x4	1 3/4	3 3/32	6-10dx2 1/8"	1-10dx2 1/8"	845	785	675	890	845	710	770	770	710
NRU34Z	3x4	2 3/4	3 3/32			845	785	675	890	845	710	770	770	710
NRU24-2Z	2-2x4	3 1/4	3 3/32			845	785	675	890	845	710	770	770	710
NRU44Z	4x4	3 3/4	3 3/32			845	785	675	890	845	710	770	770	710
NRU26Z	2x6	1 3/4	5 9/32	6-10dx2 1/8"	1-10dx2 1/8"	720	705	670	780	730	665	770	730	665
NRU36Z	3x6	2 3/4	5 9/32			720	705	670	780	730	665	770	730	665
NRU26-2Z	2-2x6	3 1/4	5 9/32			720	705	670	780	730	665	770	730	665
NRU46Z	4x6	3 3/4	5 9/32			720	705	670	780	730	665	770	730	665

- Loads assume a minimum nailer thickness of 1 1/2" for sawn lumber and 1 3/4" for LVL.

This flier is effective until January 31, 2010, and reflects information available as of January 1, 2008. This information is updated periodically and should not be relied upon after January 31, 2010; contact Simpson Strong-Tie for current information and limited warranty or see www.strongtie.com.

Home Office
5956 W. Las Positas Blvd.
Pleasanton, CA 94588
FAX: 925/847-1603

Southwest U.S.A.
260 N. Palm Street
Brea, CA 92821
FAX: 714/871-9167

Southeast U.S.A.
2221 Country Lane
McKinney, TX 75069
FAX: 972/542-5379

Western Canada
11476 Kingston St.
Maple Ridge, BC V2X 0Y5
FAX: 604/465-0297

Northwest U.S.A.
5151 S. Airport Way
Stockton, CA 95206
FAX: 209/234-3868

Northeast U.S.A.
2600 International Street
Columbus, OH 43228
FAX: 614/876-0636

Eastern Canada
5 Kenview Blvd.
Brampton, ON L6T 5G5
FAX: 905/458-7274

Warehouses & Manufacturing:
Eagan, MN; Enfield, CT; Gallatin, TN;
High Point, NC; Jacksonville, FL;
Kent, WA; Langley, BC

800-999-5099
www.strongtie.com

© 2008 Simpson Strong-Tie Company Inc.

Printed in the U.S.A.

F-RUZNRUZ08 1/08 exp. 1/10